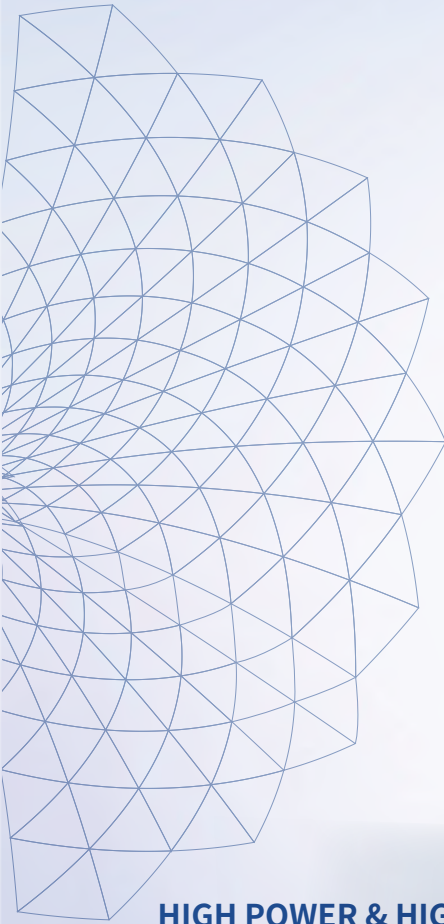




# HIGH POWER PERC SOLAR MODULE

182 cell | 10BB | Half cut | Optional Bifacial

Optional: **JNMM108-400~420** | **JNMM144-540~560** | **JNBM144-535~555**



## HIGH POWER & HIGH COMPATIBILITY



High-power, high compatibility and stable performance



Optional different layouts and types of modules for various scenarios

✓ **12** year product warranty

✓ **25** year power generation warranty (Single Glass)

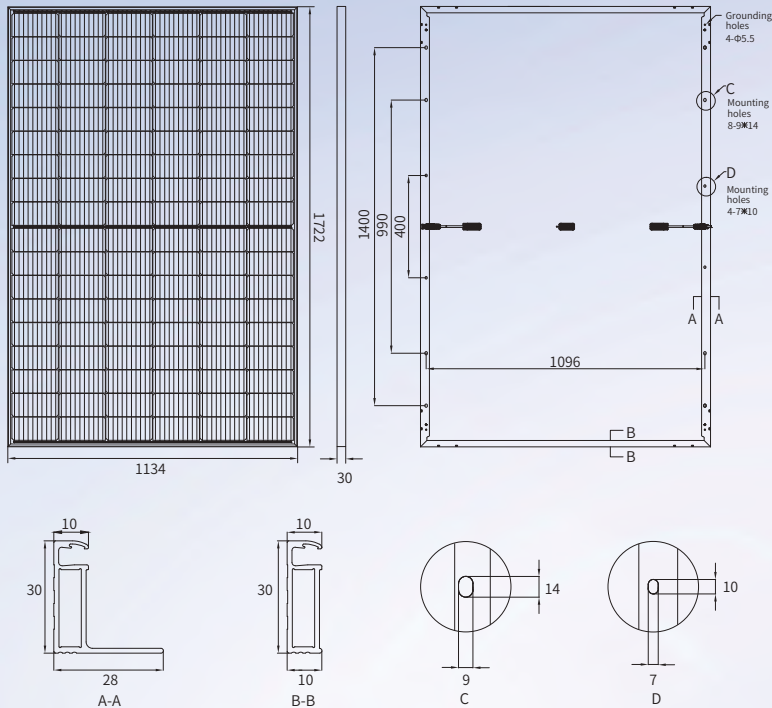
✓ **30** year power generation warranty (Double Glass)



a **JINNENG HOLDING GROUP** company

[www.jinergy.com](http://www.jinergy.com)  
JINNENG CLEAN ENERGY TECHNOLOGY LTD / JINNENG PHOTOVOLTAIC TECHNOLOGY CO. LTD

## ENGINEERING DRAWING



## MECHANICAL PARAMETERS

Cell (mm)	182*91 PERC
Dimensions (L*W*H) (mm)	1722*1134*30
Weight (kg)	21.0
Cable Cross Section Size (mm <sup>2</sup> )	4
No. of Cells & Connections	108(6*18)
No. of Diodes	3
Frame	Anodized Aluminium Alloy
Glass Thickness (mm)	3.2

## QUALIFICATION

Temperature Cycling Range (°C)	-40~+85
Max. Series Fuse Rating (A)	25
Max.Wind Load/Max.Snow Load (Pa)	2400/5400
Fire Rating	Class C
Junction Box & Connector Protection Grade	IP68

## TEMPERATURE COEFFICIENTS

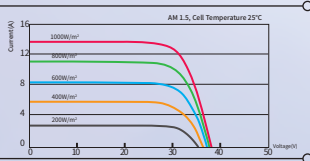
Nominal Module Operating Temperature (NMOT)	43±2°C
Temperature Coefficient Voltage (Voc)	-0.29 %/°C
Temperature Coefficient Current (Isc)	0.04 %/°C
Temperature Coefficient Power (Pm)	-0.34 %/°C

## ELECTRICAL PARAMETERS

Module Type (1500V DC)	JNMM108-400	JNMM108-405	JNMM108-410	JNMM108-415	JNMM108-420	
STC AM1.5 1000W/m <sup>2</sup> Cell Temperature 25°C	Max. Power at STC (Pmpp/W)	400	405	410	415	420
	Output Tolerance (W)	0+5	0+5	0+5	0+5	0+5
	Max. Power Voltage (Vmp/V)	31.04	31.35	31.62	31.92	32.24
	Max. Power Current (Imp/A)	12.89	12.92	12.97	13.00	13.03
	Open Circuit Voltage (Voc/V)	36.54	36.89	37.21	37.56	37.91
	Short Circuit Current (Isc/A)	13.70	13.74	13.79	13.83	13.87
NMOT AM1.5 800W/m <sup>2</sup> Ambient Temperature 20°C Wind Speed 1m/s	Module Efficiency (%)	20.48	20.74	20.99	21.25	21.51
	Max. Power (Pmpp/W)	302.6	306.4	310.2	313.9	317.7
	Max. Power Voltage (Vmp/V)	29.34	29.64	29.89	30.19	30.48
	Max. Power Current (Imp/A)	10.31	10.34	10.38	10.40	10.42
	Open Circuit Voltage (Voc/V)	34.50	34.83	35.13	35.46	35.79
	Short Circuit Current (Isc/A)	11.03	11.06	11.10	11.13	11.17

\*Measurement tolerance: Pmax: ±3%, Voc: ±3%; Isc: ±5%.

## I-V CURVE (410W)



## PACKING CONFIGURATION

Pieces Per Pallet	36
Pallets Per Container	26
Pieces Per Container	936

## Default

## Optional

Connector Type	<input type="checkbox"/> MC4 Compatible	<input type="checkbox"/> MC4
Cable Length	<input type="checkbox"/> 350mm/280mm	<input type="checkbox"/> Customized
Frame Color	<input type="checkbox"/> Silver	<input type="checkbox"/> Black



TUV: IEC/EN 61215, IEC/EN 61730  
 GB/T 19001-2016/ ISO 9001:2015  
 GB/T 24001-2016/ ISO 14001:2015  
 GB/T 45001-2020/ ISO 45001:2018  
 CNAS-CL01: ISO/IEC 17025:2017

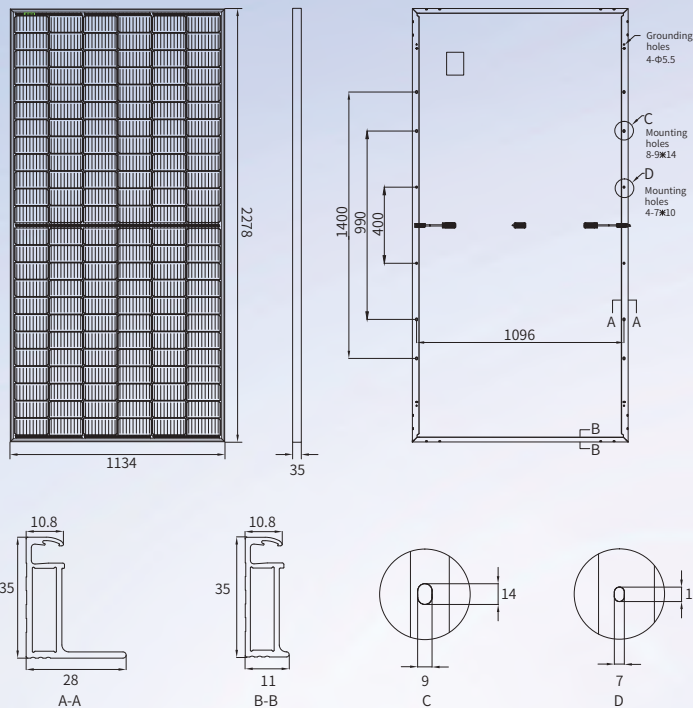
## 12-year Product materials and workmanship quality warranty

Output power

The 1st year	The 12th year	The 25th year
≥98.00%	≥91.95%	≥84.80%

CAUTION: The electrical parameters in this product datasheet do not refer to only one module. Read safety and installation instructions before using the product. The contents of this specification are for reference only and are subject to change without notice. Jinery reserves the right of final interpretation.  
 JNM-20240520-14.0 T © 2024 JINNING CLEAN ENERGY TECHNOLOGY LTD. ALL RIGHTS RESERVED.

## ENGINEERING DRAWING



## MECHANICAL PARAMETERS

Cell (mm)	182*91 PERC
Dimensions (L*W*H) (mm)	2278*1134*35
Weight (kg)	27.2
Cable Cross Section Size (mm <sup>2</sup> )	4
No. of Cells & Connections	144(6*24)
No. of Diodes	3
Frame	Anodized Aluminium Alloy
Glass Thickness (mm)	3.2

## QUALIFICATION

Temperature Cycling Range (°C)	-40~+85
Max. Series Fuse Rating (A)	25
Max.Wind Load/Max.Snow Load (Pa)	2400/5400
Fire Rating	Class C
Junction Box & Connector Protection Grade	IP68

## TEMPERATURE COEFFICIENTS

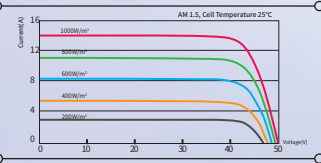
Nominal Module Operating Temperature (NMOT)	43±2°C
Temperature Coefficient Voltage (Voc)	-0.29 %/°C
Temperature Coefficient Current (Isc)	0.04 %/°C
Temperature Coefficient Power (Pm)	-0.34 %/°C

## ELECTRICAL PARAMETERS

Module Type (1500V DC)	JNMM144-540	JNMM144-545	JNMM144-550	JNMM144-555	JNMM144-560	
STC AM1.5 1000W/m <sup>2</sup> Cell Temperature 25°C	Max. Power at STC (Pmpp/W)	540	545	550	555	560
	Output Tolerance (W)	0-+5	0-+5	0-+5	0-+5	0-+5
	Max. Power Voltage (Vmp/V)	41.54	41.76	41.98	42.20	42.42
	Max. Power Current (Imp/A)	13.00	13.06	13.12	13.17	13.22
	Open Circuit Voltage (Voc/V)	49.43	49.70	49.97	50.24	50.51
	Short Circuit Current (Isc/A)	13.83	13.88	13.93	13.98	14.03
NMOT AM1.5 800W/m <sup>2</sup> Ambient Temperature 20°C Wind Speed 1m/s	Module Efficiency (%)	20.90	21.10	21.29	21.48	21.68
	Max. Power (Pmpp/W)	408.5	412.3	416.1	419.8	423.6
	Max. Power Voltage (Vmp/V)	39.28	39.46	39.64	39.85	40.06
	Max. Power Current (Imp/A)	10.40	10.45	10.50	10.54	10.58
	Open Circuit Voltage (Voc/V)	46.67	46.92	47.17	47.43	47.68
	Short Circuit Current (Isc/A)	11.13	11.18	11.22	11.26	11.30

\*Measurement tolerance: Pmax:±3%, Voc:±3%; Isc: ±5%.

## I-V CURVE (550W)



## PACKING CONFIGURATION

Pieces Per Pallet	31
Pallets Per Container	20
Pieces Per Container	620

## DEFAULT

## OPTIONAL

Connector Type	<input type="checkbox"/> MC4 Compatible	<input type="checkbox"/> MC4
Cable Length	<input type="checkbox"/> 350mm/280mm	<input type="checkbox"/> Customized
Frame Color	<input type="checkbox"/> Silver	<input type="checkbox"/> Black



TUV: IEC/EN 61215, IEC/EN 61730  
 GB/T 19001-2016/ ISO 9001:2015  
 GB/T 24001-2016/ ISO 14001:2015  
 GB/T 45001-2020/ ISO 45001:2018  
 CNAS-CL01: ISO/IEC 17025:2017

## 12-year Product materials and workmanship quality warranty

Output power			
The 1st year	The 12th year	The 25th year	
≥98.00%	≥91.95%	≥84.80%	

CAUTION: The electrical parameters in this product datasheet do not refer to only one module. Read safety and installation instructions before using the product. The contents of this specification are for reference only and are subject to change without notice. Jinery reserves the right of final interpretation. JNM-20240520-14.0T © 2024 JINNING CLEAN ENERGY TECHNOLOGY LTD. ALL RIGHTS RESERVED.

